

HAMMERHEAD CONVEYOR MINI-BEAM PRESS

60-100 TON --- DATA SHEET

sales@americanclickerpress.com | www.americanclickerpress.com | (801)613-7997 ext: sales

Front and Rear Light Curtains

Dual Safety Operation Buttons

Emergency Stop Button



Cutting Depth Adjustment Dial

Custom Hydraulic Ram

Polypropylene Cutting Board

Motor Start Switch

DESIGN, USE, AND FEATURES

- Two-button operational controls
- Compression counter
- Ships with free polypropylene cutting board
- Time-based cutting depth

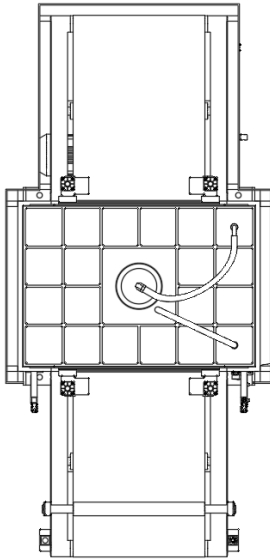
Data Sheet

Model Number	HH-CMBP-50-B
Machine Dimensions (W:D:H)	56" x 185" x 65"
Shipping Dimensions (W:D:H)	56" x 185" x 65"
Cutting Area (W:D)	27.5" x 30"
Front and Rear Staging Area	36"/72"
Max Die Dimensions (with clamps)	24.5" x 30"
Gross Crated Weight (lbs)	5850
Tonnage	50
Daylight	7.75"
Stroke Adjustment	1.5"-7.75"
Stroke Speed	120mm/s (Max 10 Cycles/Min)
Belt Move Speed	2m/s
Oil Capacity	~20 gallons
Cutting Pad	1" Polypropelene
Machine Power	3 PH, 220V, 60HZ 3 PH, 480V, 60HZ
Amperage (220V/480V)	31A/14.6A
Motor Power	4.0 KW 5.5 HP

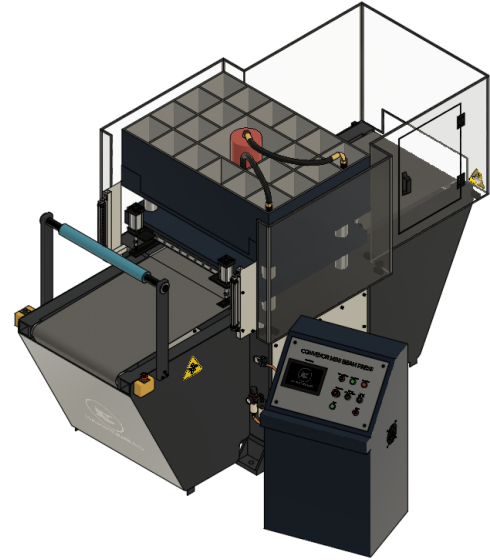
HAMMERHEAD CONVEYOR MINI-BEAM PRESS 60-100 TON --- DATA SHEET

sales@americanclickerpress.com | www.americanclickerpress.com | (801)613-7997 ext: sales

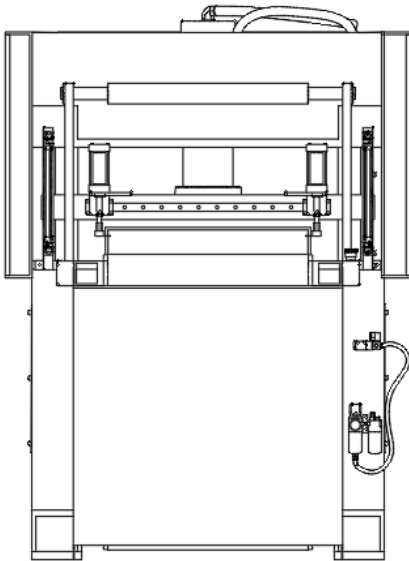
Machine Width 56"



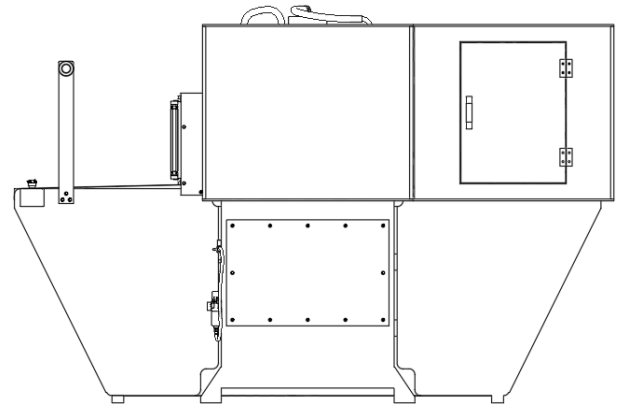
Machine Orthographic View



Machine Depth 185



Machine Height 65"



The 30" x 30" HAMMERHEAD mini beam press has ~7.75" of space between the platen and the table when fully open. However, with a ~1" polypropylene cutting board and ~0.25" cutting die the effective stroke of the head is ~6.5".

The footprint of the machine is shown at the widest parts of the profile. Be sure that your workspace can accommodate the machine and the recommended 30" buffer around the machine.

The speed transition point, bottom hold time, and top hold time all allow for additional customization to streamline the cutting process and ensure clean and consistent cuts.